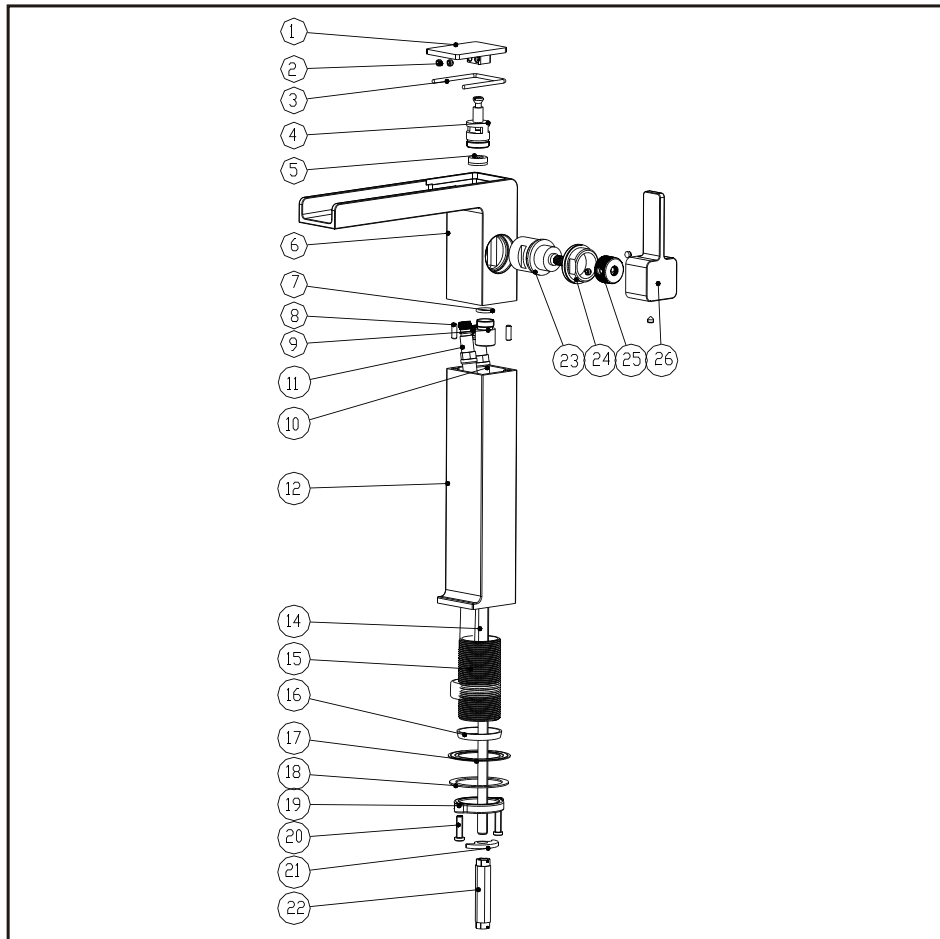


Raised Basin Mixer

EB_FM001V

Installation Instruction

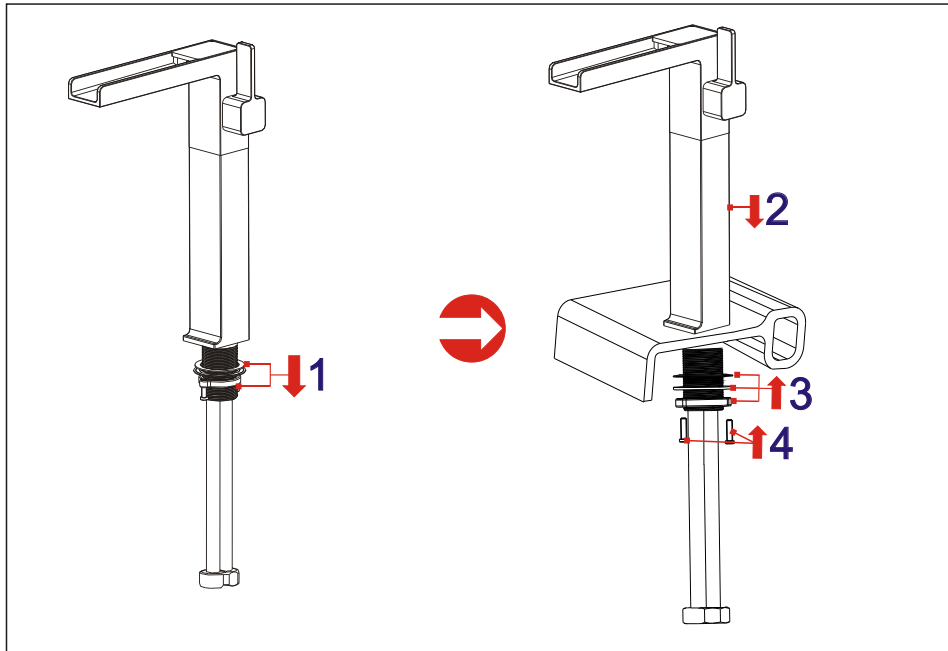
Please read this instruction carefully to avoid any difficulty during installation.



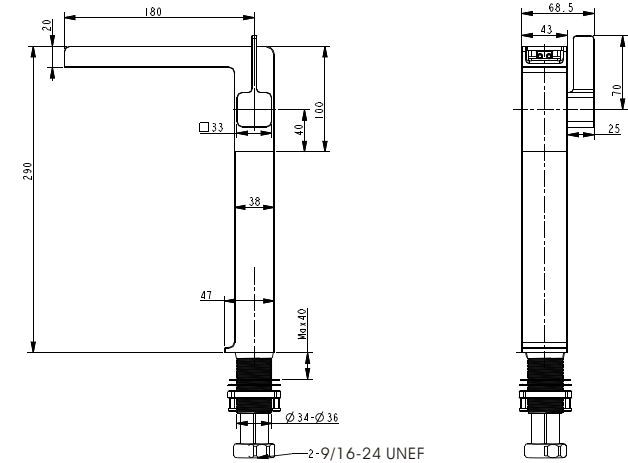
Components List

No.	Component	Quantity
1	Decorating cover	1
2	Female allen screw	5
3	O-ring	1
4	Union	1
5	Flow rate controller	1
6	Main body	1
7	O-ring	1
8	Setting pin	2
9	Stopper	1
10	Flexible connection hose (red)	1
11	Flexible connection hose (blue)	1
12	Longer pipe	1
14	Bolt	1
15	Thread pipe	1
16	Washer	1
17	Fastening washer	1
18	Rubber washer	1
19	Fastening nut	1
20	Cross-head screw	2
21	Fastening washer	1
22	Fastening nut	1
23	Ceramic head part	1
24	Fastening screw	1
25	Union	1
26	Handle	1

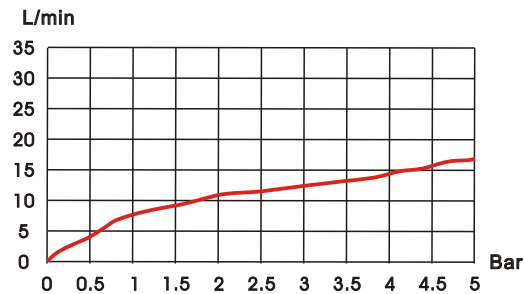
Installation Step



Installation Fig



Flow rate Curves



Test pressure: 1.6MPa (16bar)

Flow pressure:

Min 0.05MPa

Max 1.60MPa

Recommended pressure:

0.1MPa to 0.8MPa (1 to 8 bar)

Note

1. Ensure proper cleaning of the water supply pipe before installation to avoid any jammed
2. The cold-water supply must be connected on the right and the hot-water supply must be connected to the left.
3. Check the installation dimensions according to the Figure and ensure it is installed correctly.
4. Hot-water inlet temperature must not be over 80°C.